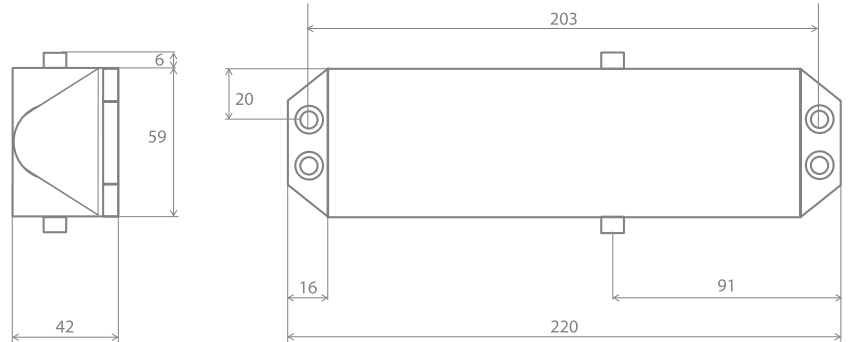


TS4.224 Architectural Slimline Overhead Door Closer



Product Overview:

A stylish adjustable power overhead door closer, which is suitable for many applications where there is general usage, such as office accommodation, flat entrance doors etc. Suitable for doors up to 950mm/60kg in Fig 1 or Fig 66 application.

Fig 1

4	8	3	1	1	3
---	---	---	---	---	---

Fig 6

3	8	3	1	1	3
---	---	---	---	---	---

Testing & Standards:

- CE marked against EN1154
- Included in successful fire test to EN1634
- Suitable for use on timber fire doors of up to 120 minutes fire resistance
- Certifire approved - refer to CF689 for scope of approval
- Safe in use
- High corrosion resistance

Specification

Closing Force (Fig 1 & Fig 6)	EN Size	3**
Door Size (max)	Width (mm)	950
	Weight (kg)	60
Body Dimensions	Length (mm)	220
	Width (mm)	59
	Depth (mm)	42
Application	Regular Fig. 1	y
	Parallel Arm Fig. 6	y
	Transom Fig. 61	y*
Mechanism	Rack & Pinion	y
Power Shoe Bracket		y
Angle Of Opening		S3 -180° S4 -105°
Non Handed		y
Power Adjustment By Spring		n
Power Adjustment By Position		y
Adjustable Sweep Speed		y
Adjustable Latch Speed		y
Adjustable Backcheck		n
Adjustable Delayed Action		n
Guarantee	Years	25
Options		
Architrave Brackets		n
Drop Plates		n
Hold-Open Arm (not suitable for use on fire doors)		y*
Slide Arm & Track		n
Hollow Door Fixing Pack		n
Saddle Bracket For Glass Door Installation		n
Cover Options		
Radius Edge		n
Semi-Radius		y
Full-Radius		n
Square		n
Finish Options		
No Cover		SIL
Cover & Matching Armset		SIL, SSS, PSS, PB, RAL, BRONZE

** optional size 4 by template. Not covered by CE or Certifire

* these options are not covered by CE or Certifire