



INSTALLATION GUIDE

FIREFLY™ ZEUS LITE™ 90:30 VERTICAL FIRE BARRIER



TBA PROTECTIVE TECHNOLOGIES LTD
UNIT 3
TRANSPENNINE TRADING EST.
GORRELLS WAY
ROCHDALE
OL11 2PX
UK

✉ TECHNICAL@TBAFIREFLY.COM

☎ +44 (0)1706 758817

🌐 WWW.TBAFIREFLY.COM

TBA 
Protective Technologies Ltd

MATERIAL REQUIREMENTS

FIREFLY™ ZEUS LITE™ 90:30

GALVANISED ANGLE (50 X 50 X 0.7MM MIN.)

GALVANISED ANGLE (25 X 25 X 0.7MM MIN.)

SUITABLE FIRE RESISTANT FIXINGS

FIREFLY™ 12MM STAPLES

FIREFLY™ HIGH TEMPERATURE ADHESIVE

TOOLS

DRILL / DRIVER

FIREFLY™ STAPLER

BITS AND SOCKETS

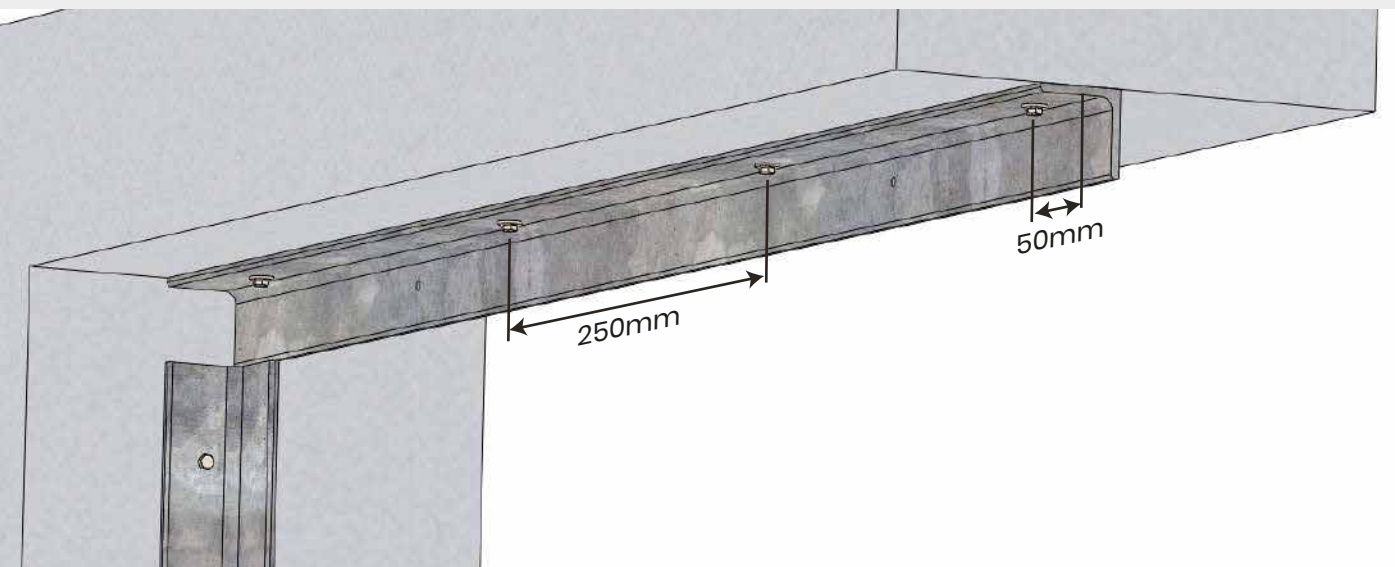
SELF LEVELLING LASER

SILICONE GUN

STEP 1

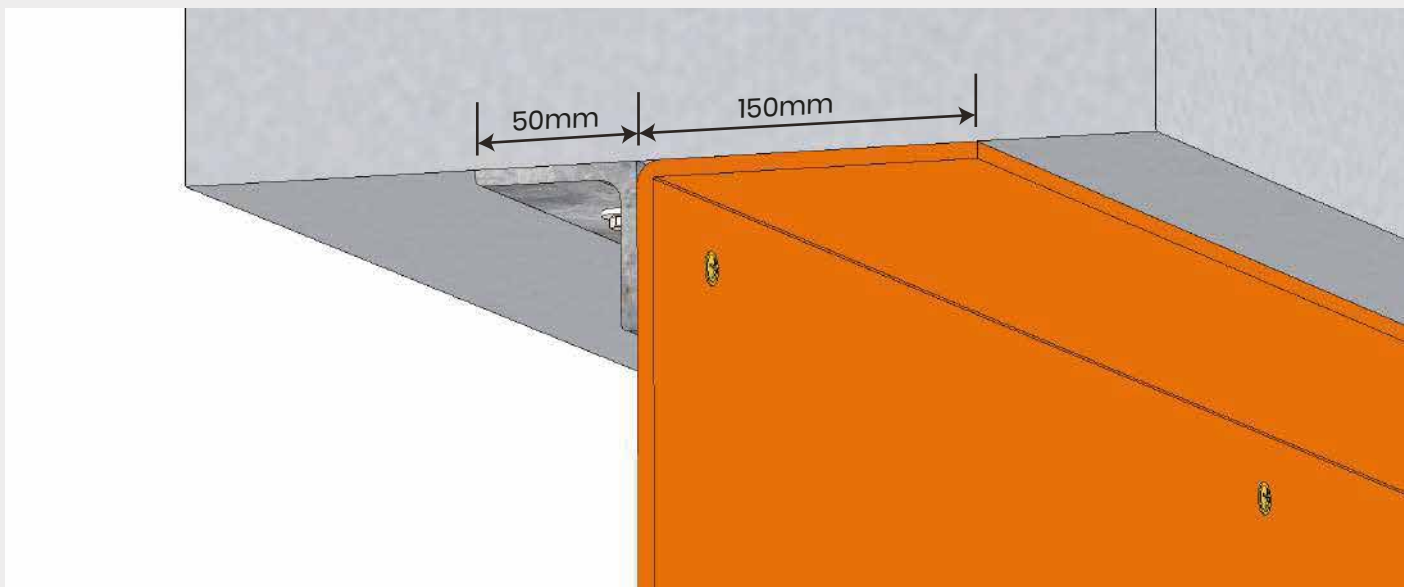
Set out and clearly mark position of fire barrier on the walls, floor and soffit.

Fix 50x50x0.7mm galvanised angle to soffit, walls and floor at 250mm centres with appropriate fire resistant fixings, starting 50mm from the end. Ensure the vertical downstand of the galvanised angle follows the desired line of the vertical barrier and the horizontal portion of the angle projects away from the barrier.



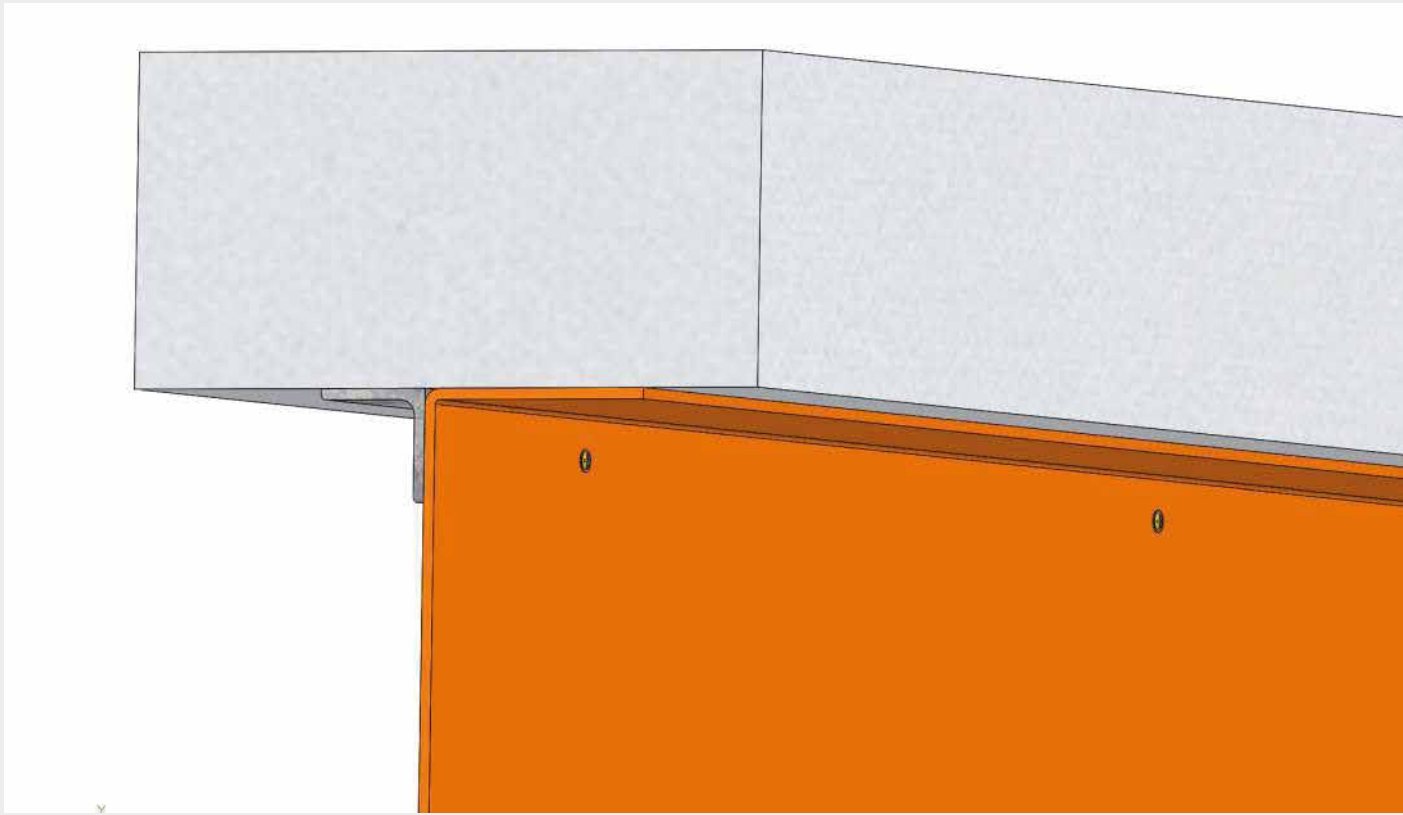
STEP 2

Position the first sheet of **ZEUS Lite™** at one end of the barrier against the vertical downstand of the galvanised angle ensuring a minimum lap of 150mm onto the horizontal soffit, vertical walls and horizontal floor.



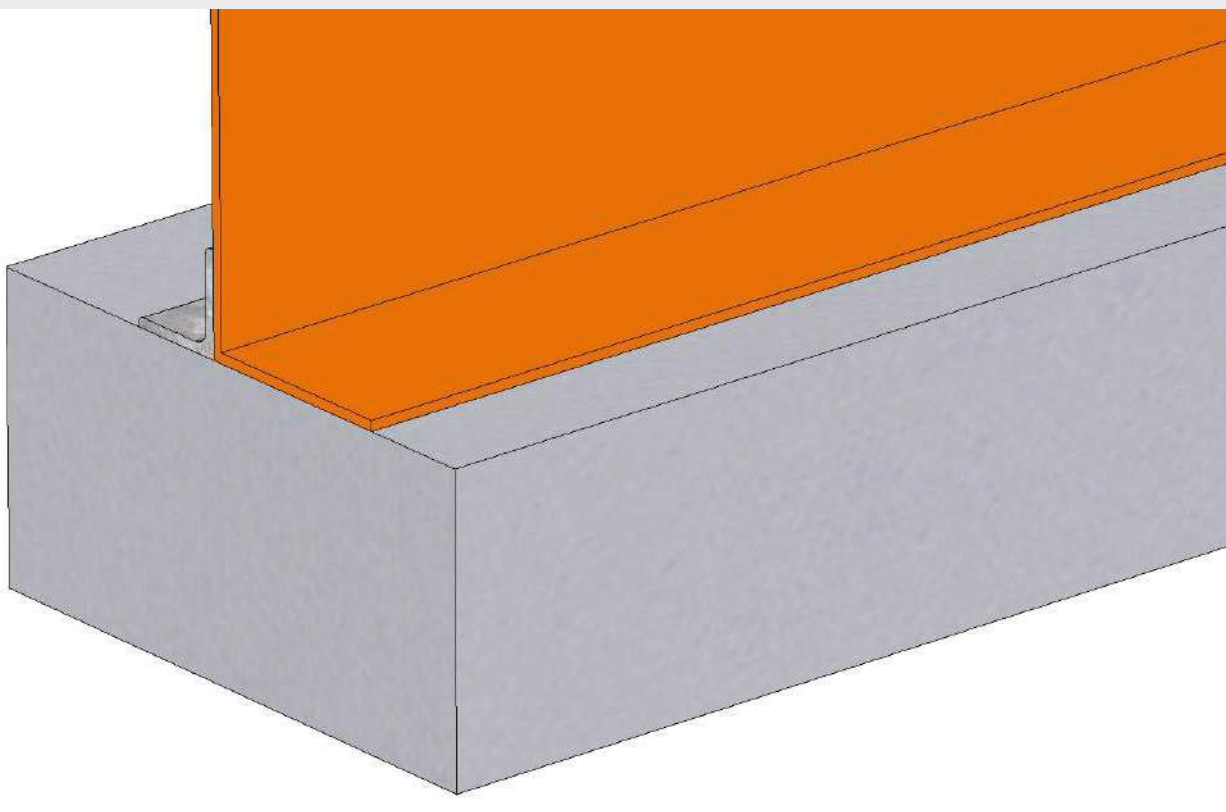
**STEP
3**

Tack the **ZEUS Lite™** to the galvanised angle using suitable fire resistant fixings at 600mm centres



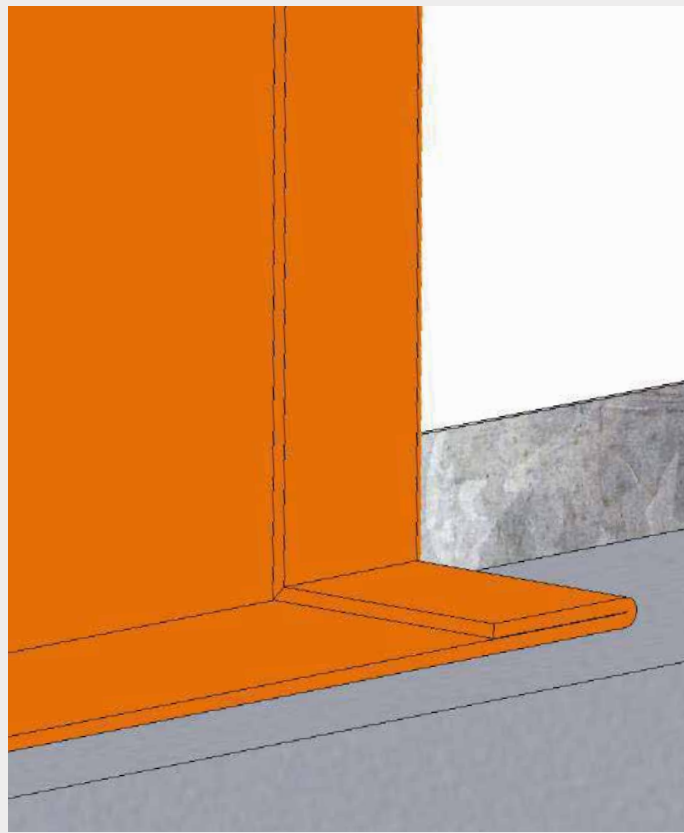
**STEP
4**

Lap the **ZEUS Lite™** vertical barrier onto the floor of the protected zone by a minimum of 150 mm and tack to the galvanised angle.



**STEP
5**

Fold the vertical leading edge of **ZEUS Lite™** back over by a minimum of 75mm to create an overlap



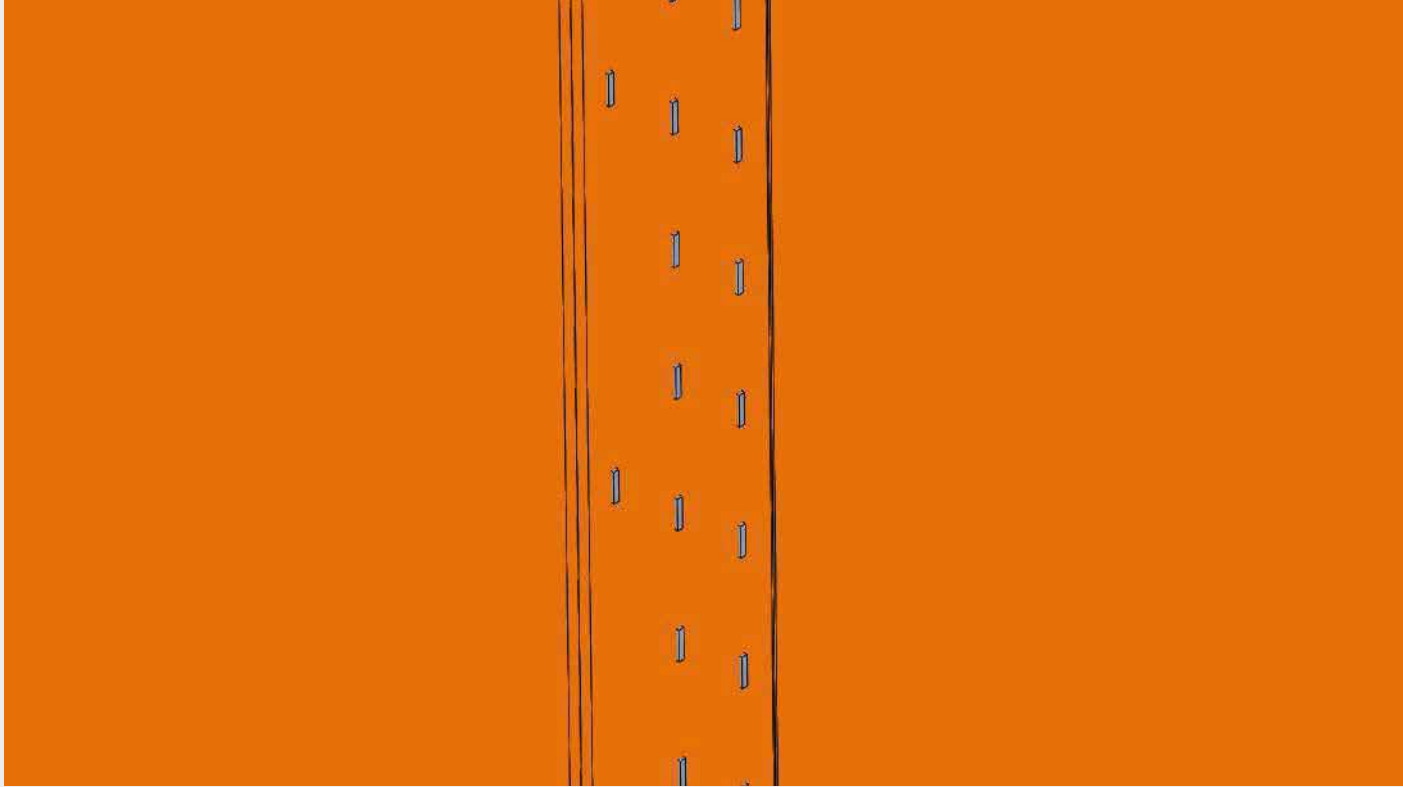
**STEP
6**

Position the adjacent sheet of **ZEUS Lite™**, ensuring a minimum lap of 75mm over the existing vertical sheet and 150mm onto the horizontal soffit and floor. Temporarily fix the **ZEUS Lite™** to the galvanised angle using suitable resistant fixings at 600mm centres



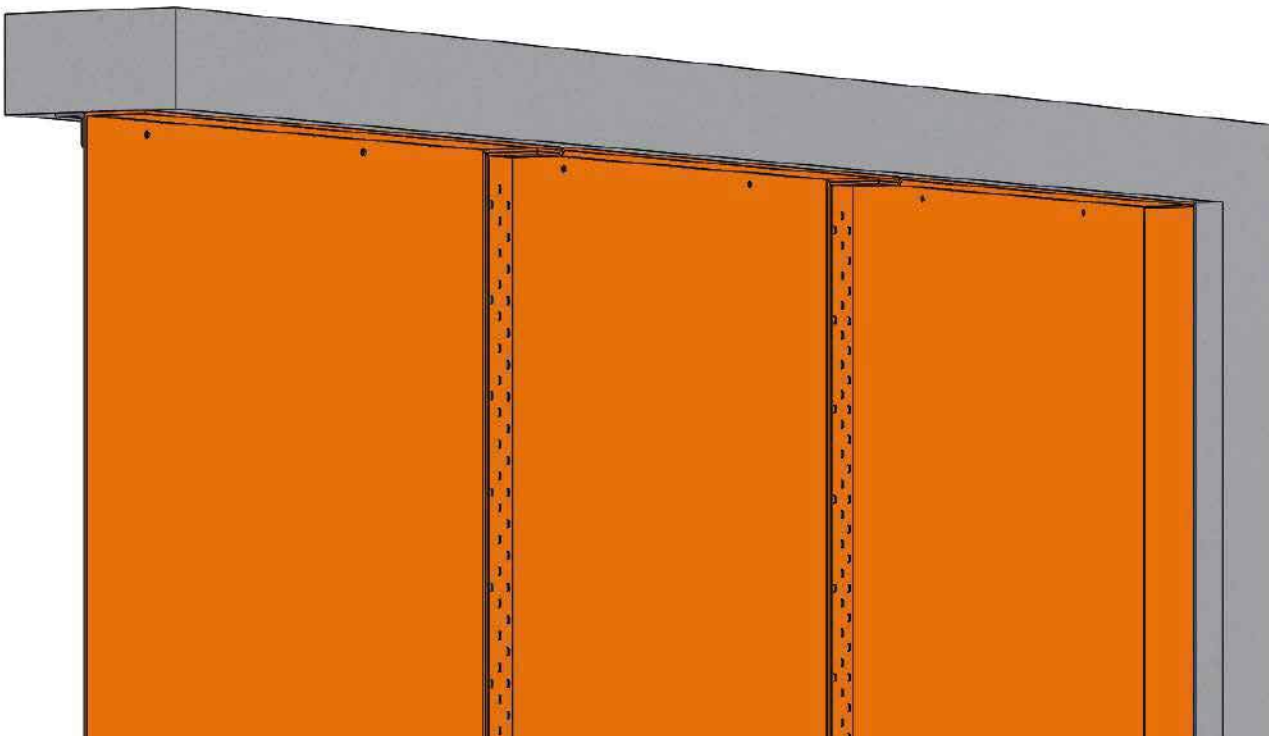
**STEP
7**

Staple the vertical lapped butt joint together using 3 rows of **FIREFLY™** 12mm stainless steel staples. The vertical row nearest the leading edge to be at 150mm vertical centres, middle row to be at 50mm vertical centres and the inner row to be at 50mm vertical centres and offset to the middle row.



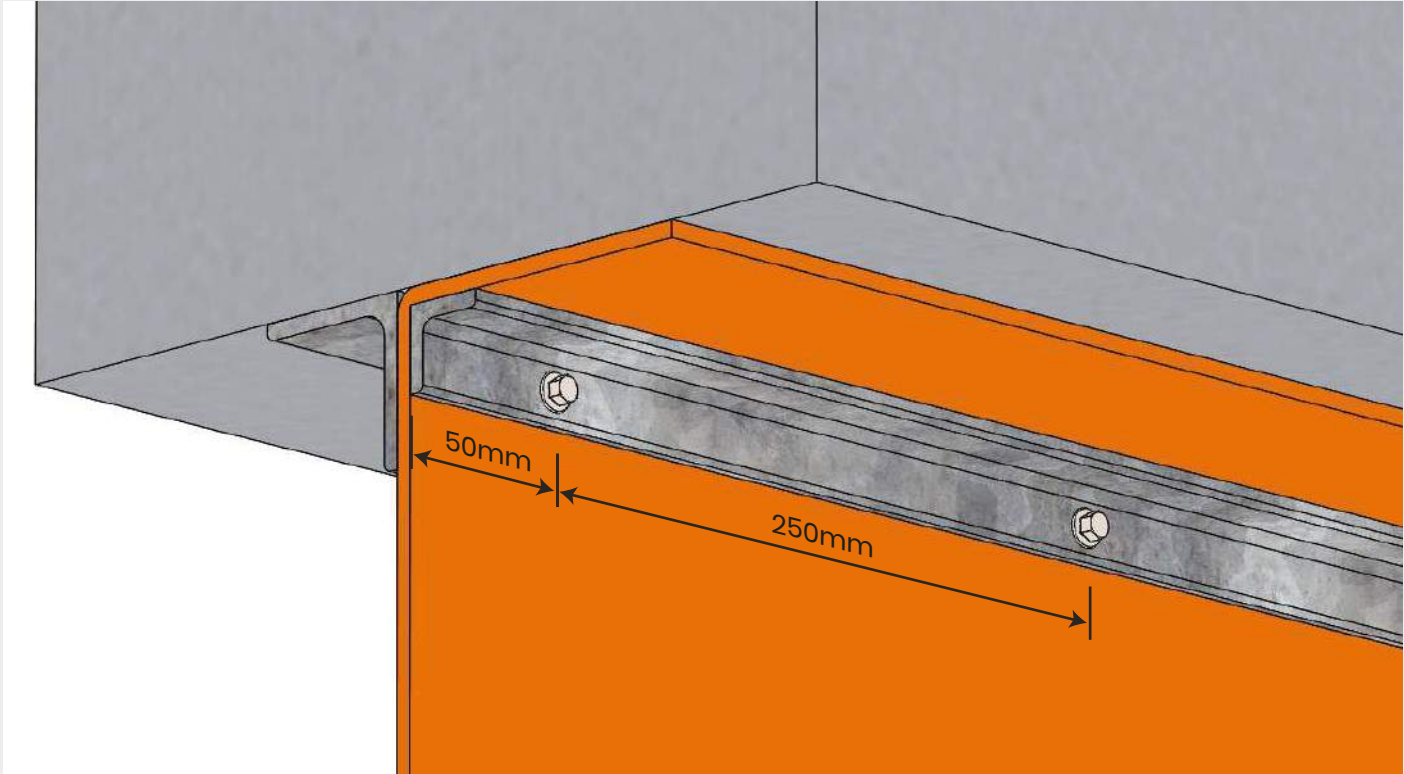
**STEP
8**

Continue installation in one direction to the end of the fire barrier, ensuring a minimum 150mm lap onto vertical perimeter wall.



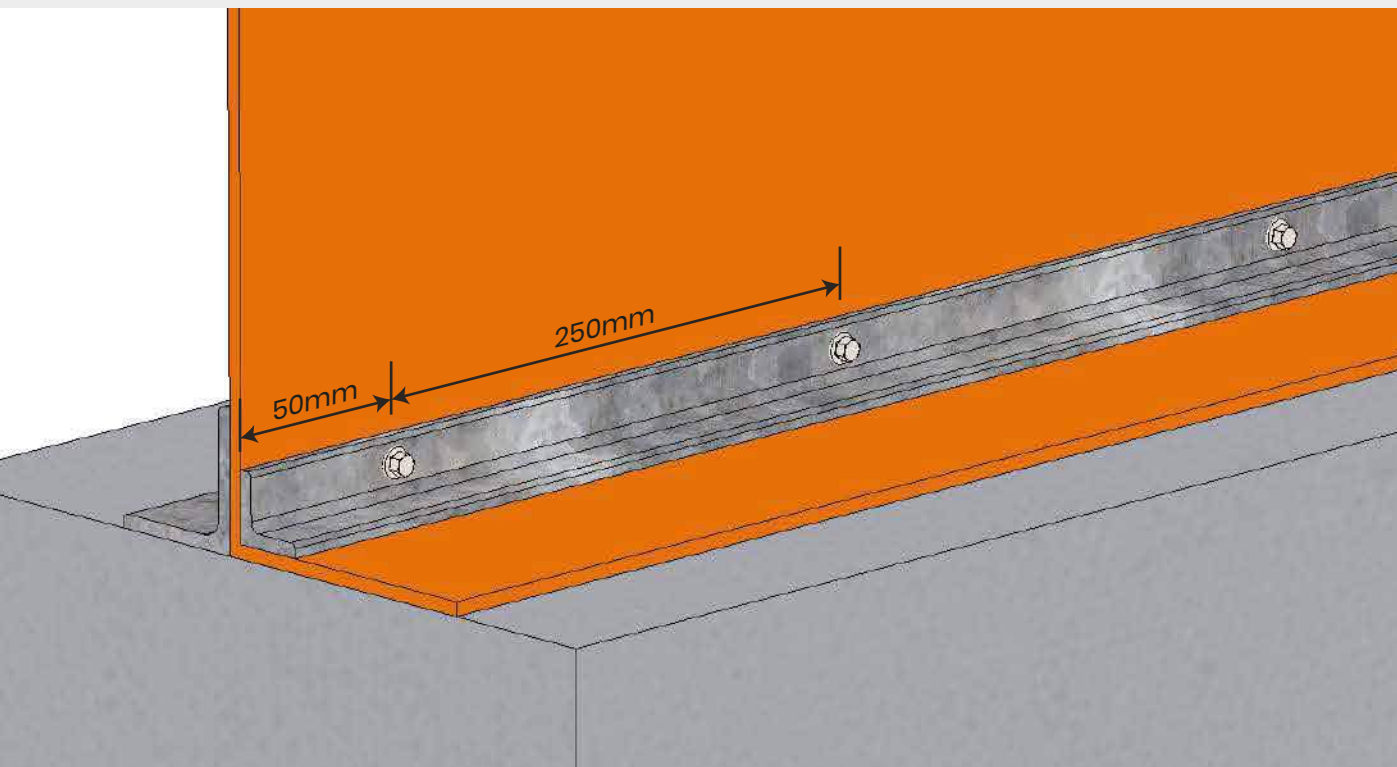
**STEP
9**

At the horizontal head of the barrier, retain the **ZEUS Lite™** with a 25x25x0.7 galvanised angle fixed through the barrier and to the downstand of the 50x50x0.7 angle. Use suitable fire resistant fixings, starting 50mm from either end and at 250mm maximum centres.



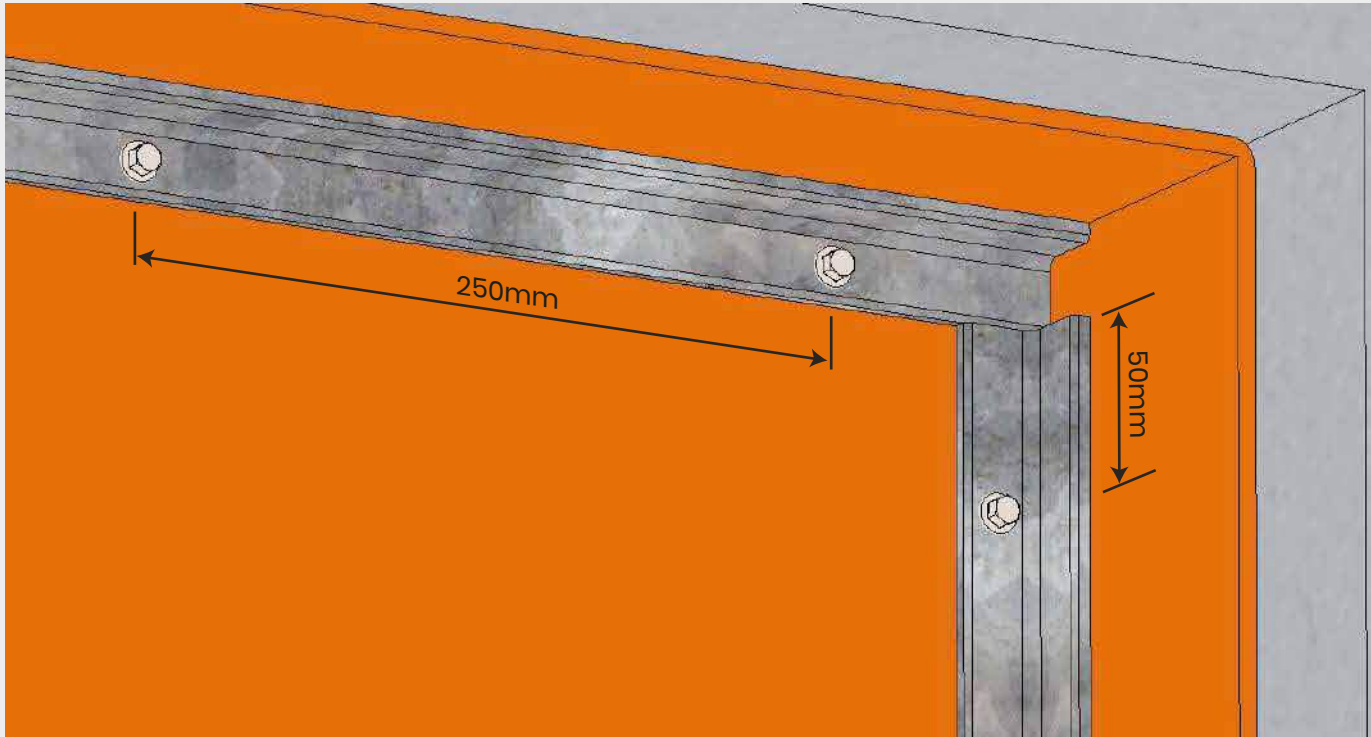
**STEP
10**

At the horizontal base of the barrier, retain the **ZEUS Lite™** with a 25x25x0.7 galvanised angle fixed through the barrier and to the upstand of the 50x50x0.7 angle. Use suitable fire resistant fixings, starting 50mm from either end and at 250mm maximum centres.



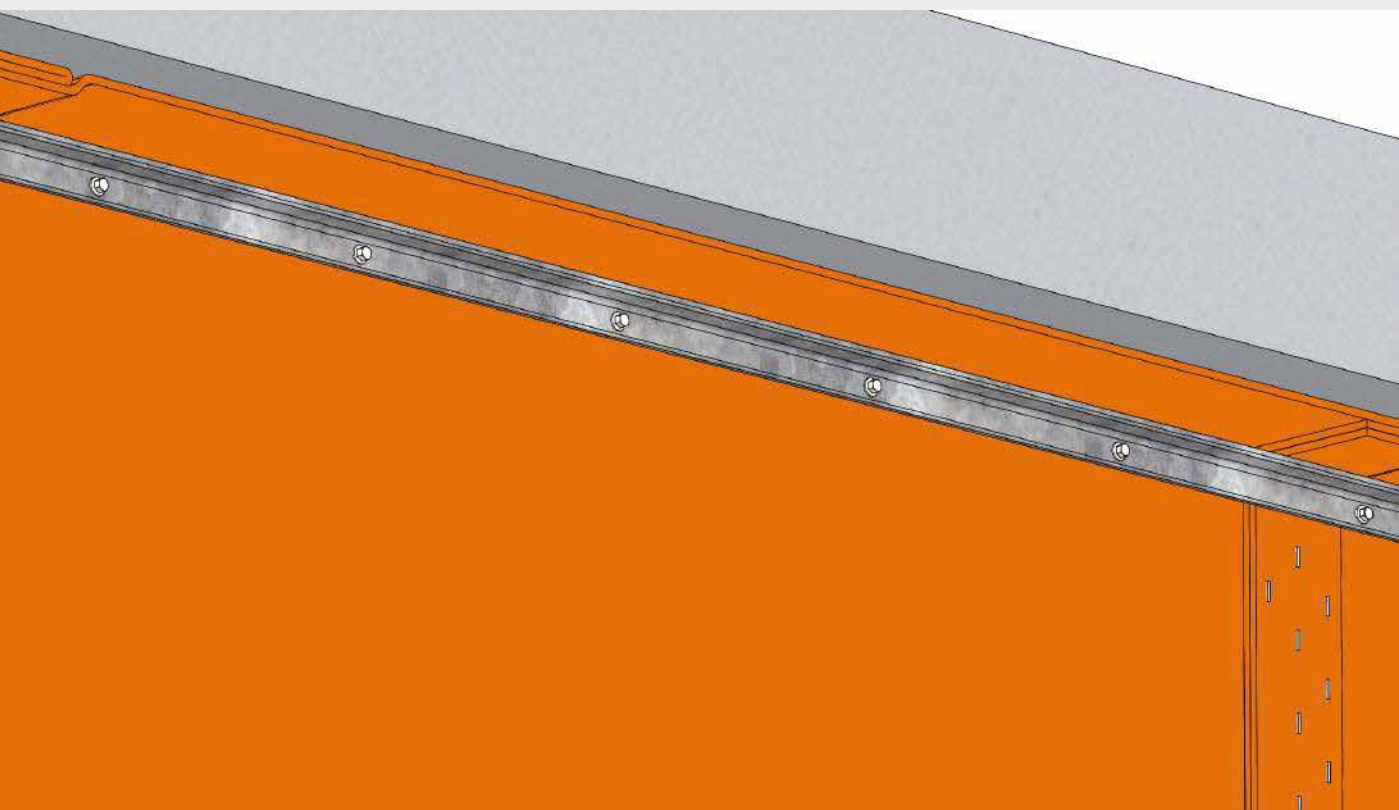
**STEP
11**

At the vertical sides of the barrier, retain the **ZEUS Lite™** with a 25x25x0.7 galvanised angle fixed through the barrier and to the upstand of the 50x50x0.7 angle. Use suitable fire resistant fixings, starting 50mm from either end and at 250mm maximum centres.



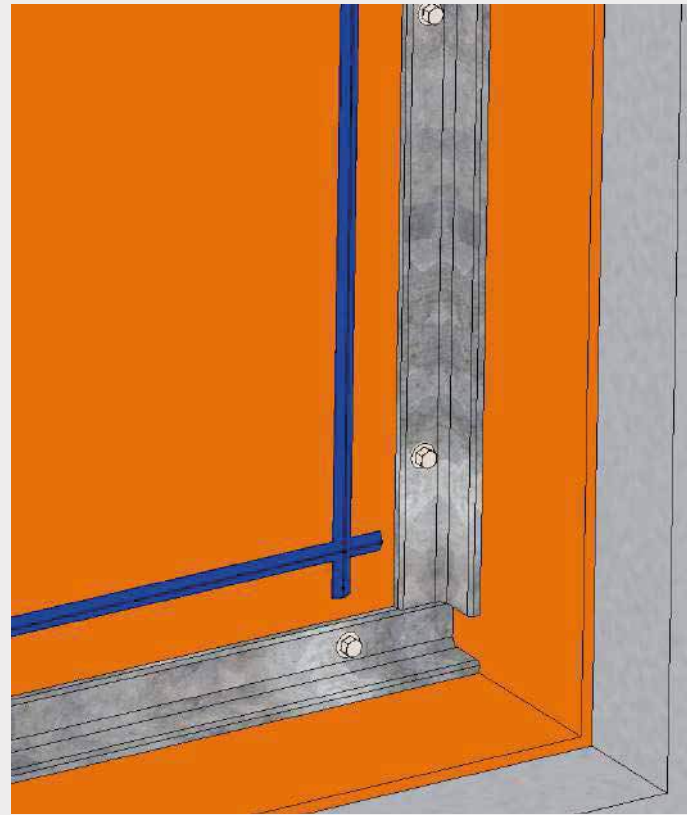
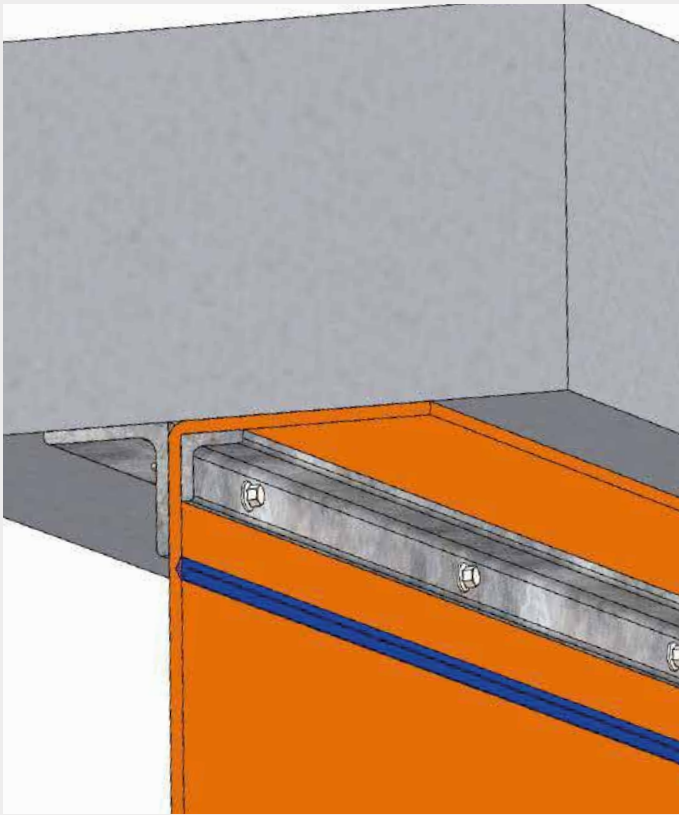
**STEP
12**

Quality check all retaining galvanised angles, fixing and staples to confirm the installation is in accordance with TBA **FIREFLY™** recommendations.



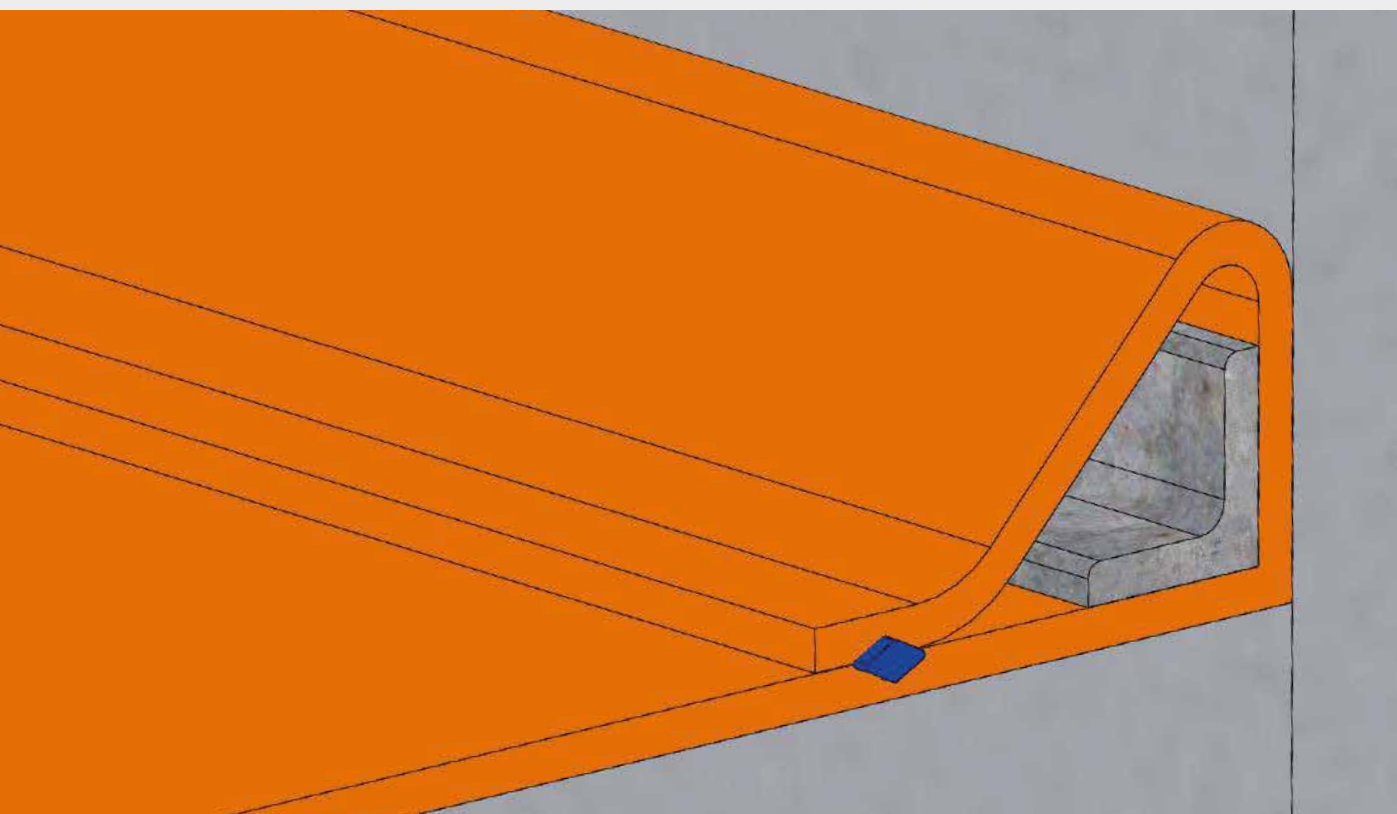
**STEP
13**

Apply a 6mm bead of **FIREFLY™** High Temperature Adhesive around the entire perimeter of the installation 25mm inboard of the galvanised angle.



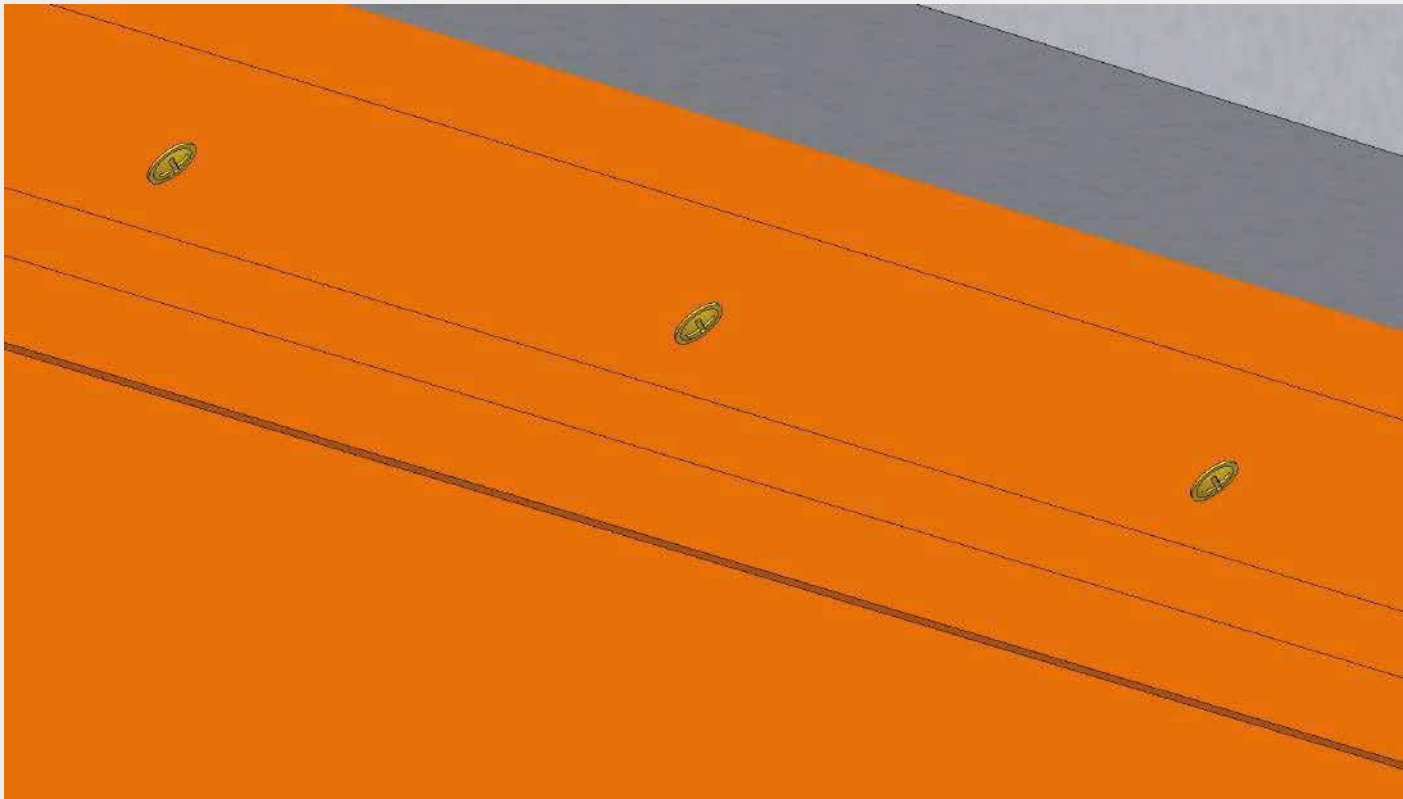
**STEP
14**

Fold the perimeter laps of **ZEUS Lite™** back over the galvanised angle and press firmly into the bead of **FIREFLY™** High Temperature Adhesive.



**STEP
15**

Secure the folded **ZEUS Lite™** into place using suitable fire resistant fixings at 600mm centres.



**STEP
16**

The completed **FIREFLY™ ZEUS Lite™** Fire Barrier provides 90 minutes integrity and 30 minutes of insulation in accordance with BS476 Pt22: 1987 and IFCC 1463.

